

Connector set - HC-EVO-B24PT-BWSC-HH-M32-PLRBK

Please be informed that the data shown in this PDF Document is generated from our Online Catalog. Please find the complete data in the user's documentation. Our General Terms of Use for Downloads are valid




EVO connector set, B24 series, plastic housing, consisting of sleeve housing, panel mounting base, push-in contact inserts: 1407735, 1407736, 1407660, 1407656, 1407671

Why buy this product

- ✓ Lower costs than metal version
- ✓ Labeling option using 9 x 20 mm marking label
- ✓ Low weight
- ✓ Lower risk of condensation
- ✓ Both contact insert PE sheets are connected by means of a metal frame integrated in the sleeve housing
- ✓ Metal inlays ensure leading PE contact with angled plugs
- ✓ Completely corrosion-resistant
- ✓ Halogen-free plastic
- ✓ Marking label can be attached

Key Commercial Data

Packing unit	1 STK
GTIN	 4 046356 834117
GTIN	4046356834117
Weight per Piece (excluding packing)	640.000 g
Custom tariff number	85366990
Country of origin	Germany

Technical data

General

Number of positions	24+PE
---------------------	-------

Connector set - HC-EVO-B24PT-BWSC-HH-M32-PLRBK

Technical data

General

Type	B24
Connection method	Push-in connection
Cable outlet	straight
	lateral
Degree of protection for housing	IP66
	12 (UL 50e)
Connection method	Push-in connection
Rated voltage (III/3)	500 V
Rated surge voltage	6 kV
Rated current	16 A

Standards and Regulations

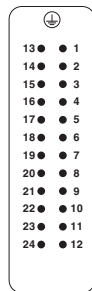
Flammability rating according to UL 94	V0
----------------------------------------	----

Environmental Product Compliance

China RoHS	Environmentally Friendly Use Period = 50
	For details about hazardous substances go to tab "Downloads", Category "Manufacturer's declaration"

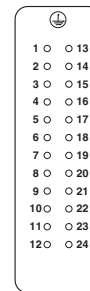
Drawings

Schematic diagram



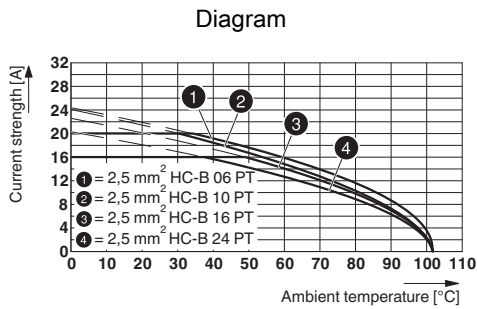
Pin assignment, connection side, pin

Schematic diagram

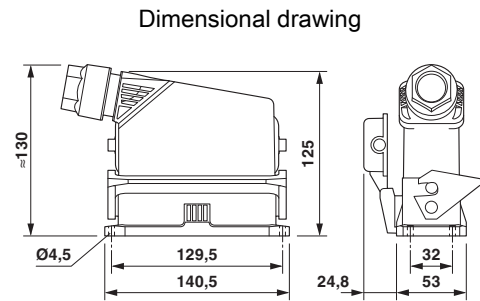


Pin assignment, connection side, socket

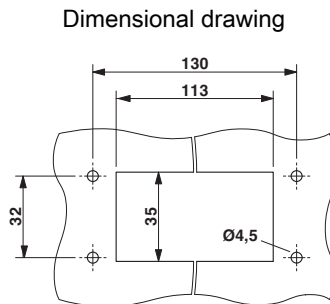
Connector set - HC-EVO-B24PT-BWSC-HH-M32-PLRBK



Derating diagram



Dimensional drawing



Mounting cutout

Articles in set

Contact insert - HC-B24-I-PT-F - 1407735



Contact insert, number of positions: 24+PE, size: B24, number of connections per position: 1, Socket, Push-in connection, 500 V, 16 A, 0.14 mm² ... 2.5 mm², application: Power

Contact insert - HC-B24-I-PT-M - 1407736



pin insert, B24 series, 24 + PE-pos., push-in connection

Connector set - HC-EVO-B24PT-BWSC-HH-M32-PLRBK

Articles in set

Housing - HC-EVO-B24-BWSC-PLRBK - 1407660



HEAVYCON EVO panel mounting base, plastic housing, B24, with single locking latch, height 30.5 mm, with flat gasket, with protective cover

Housing - HC-EVO-B24-HHFS-PLBK - 1407656



HEAVYCON EVO sleeve housing, plastic, with bayonet flange for EVO screw connection, B24, for single locking latch, height: 87.5 mm, without EVO screw connection

Cable gland - HC-B-G-M32-PLRBK - 1407671



EVO plastic cable gland with bayonet locking, for housing series B, size M32, cable diameter: 11 ... 21 mm

Classifications

eCl@ss

eCl@ss 4.0	272607xx
eCl@ss 4.1	27260701
eCl@ss 5.0	27143424
eCl@ss 5.1	27143424
eCl@ss 6.0	27143424
eCl@ss 7.0	27440209
eCl@ss 8.0	27440101
eCl@ss 9.0	27440101

ETIM

ETIM 3.0	EC000438
ETIM 4.0	EC000437
ETIM 5.0	EC000437

Connector set - HC-EVO-B24PT-BWSC-HH-M32-PLRBK

Classifications

ETIM

ETIM 6.0	EC002636
----------	----------

UNSPSC

UNSPSC 6.01	30211923
UNSPSC 7.0901	39121522
UNSPSC 11	39121522
UNSPSC 12.01	39121522
UNSPSC 13.2	39121409

Approvals


Approvals


Approvals


EAC / EAC / GL

Ex Approvals

Approval details

EAC		RU C- DE.AI30.B.01102
-----	-------------------------------------------------------------------------------------	--------------------------

EAC		EAC-Zulassung
-----	-------------------------------------------------------------------------------------	---------------

GL		6196614 HH
----	-------------------------------------------------------------------------------------	------------
