

1

2

3

4

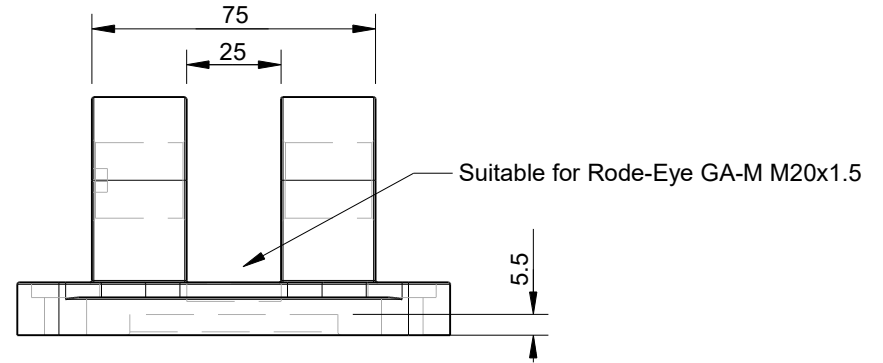
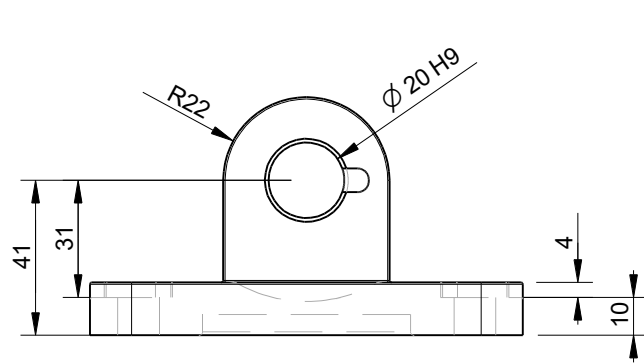
5

6

RevNo	Revision note	Date	Signature	Checked
-------	---------------	------	-----------	---------

A

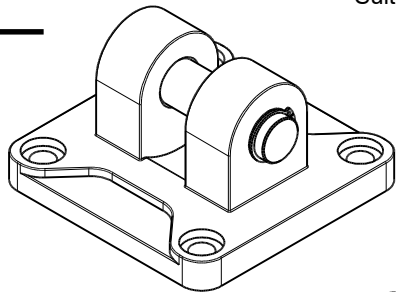
A



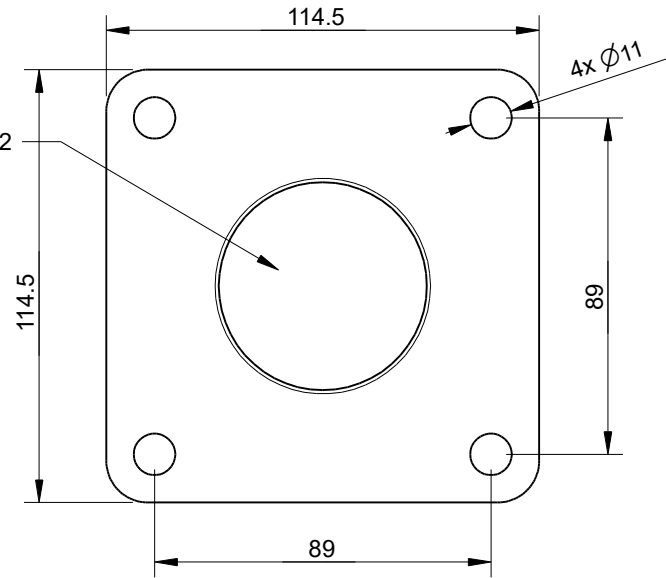
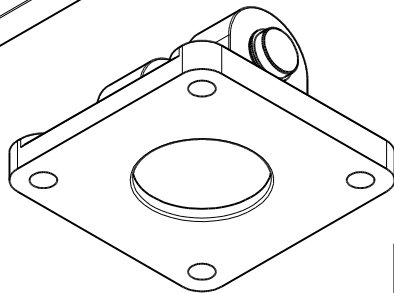
B

B

Suitable for $\varnothing 100$ mm Pneumatic actuator ISO 15552



SCALE 1:3



C

C

D

D

Itemref	Quantity	Title/Name, designation, material, dimension etc			Article No./Reference	
Drawn by Cas Jansen		Checked by	Approved by - date	File name	Date 30-6-2021	Scale 1:2

Units	mm
Tolerances	± 0.2 mm unless otherwise specified

5565

www.socoje.com

5565 Z40W0951002003SP Female Hinge - Model B 100 - for Rod-Eye GA-M M20x1.5	Edition	Sheet 1 OF 1
---	---------	-----------------

1

2

3

4

5

6