

400W 3-Phase AC Gear Motor

GEAR-HV400

1/2 hp (400 watt) 3-phase gear motor with excellent performance and good price, gear ratio selected in 3~100:1, power supply is available in single phase and 3-phase 110V/220V/380V. The gear reduction motor can cut power off easily when it connects with a brake.

Basic Specification

Model	CH22-400-10-S
Rated Power	400W (1/2 hp)
Rated Voltage	Single-phase 110V, 50/60Hz Single-phase 220V, 50/60Hz 3-phase 220V, 50/60Hz 3-phase 380-415V, 50/60Hz
Gear Ratio	3:1/ 5:1/ 10:1/ 15:1/ 20:1/ 25:1/ 30:1/ 40:1/ 45:1/ 50:1/ 60:1/ 70:1/ 80:1/ 90:1/ 100:1
Duty	Continuous running
Working Environment	Temperature 10°C~+40°C Humidity ≤90%
Pole	4P (6P)
Working Height	≤1000m
Standard	GB755/IEC-60034

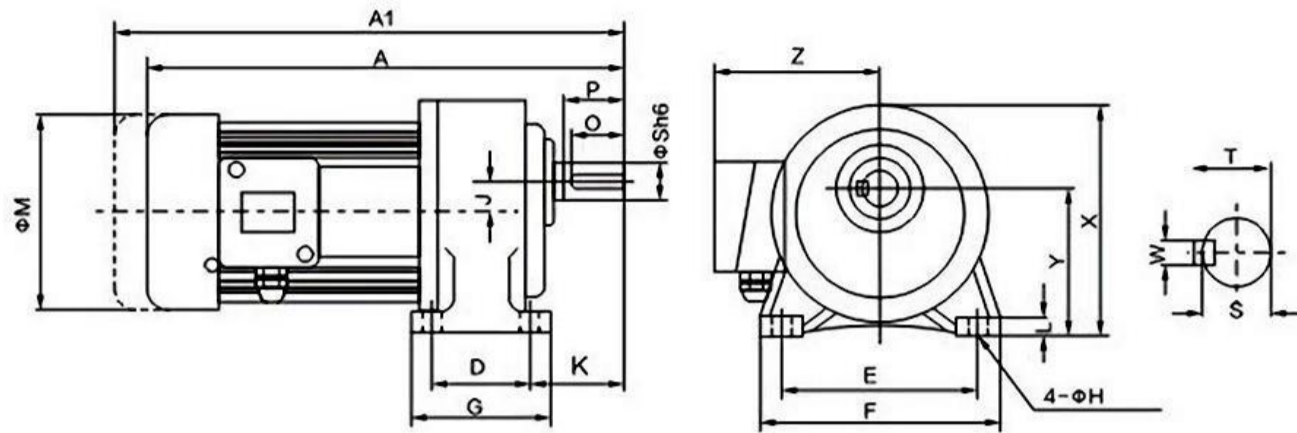
400W AC Gear Motor Load Current Value

Phase	3-Phase							
Frequency	50Hz				60Hz			
Voltage	220V	380V	415V	440V	220V	380V	440V	460V
Current	2.14A	1.24A	1.31A	1.07A	1.90A	1.10A	0.95A	0.91A
Phase	Single-Phase							
Frequency	50Hz				60Hz			
Voltage	110V	115V	220V	230V	110V	115V	220V	230V
Current	6.50A	6.10A	3.25A	3.05A	5.40A	5.00A	2.70A	2.54A

400W AC Gear Motor Output Torque

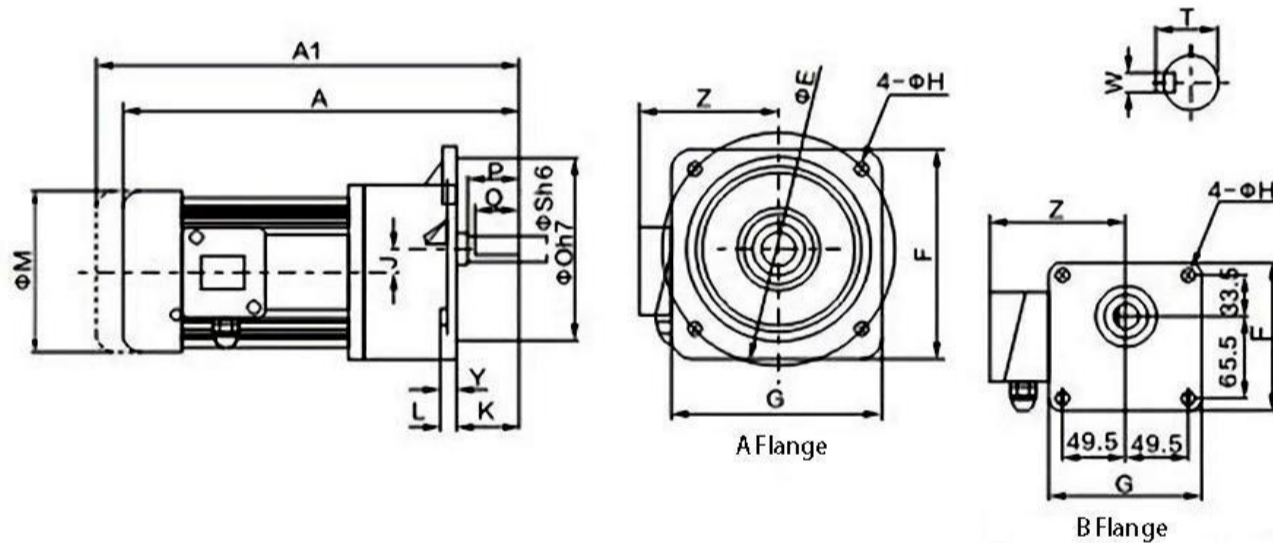
Gear Ratio		3	5	10	15	20	25	30	40	45	50	60	70	80	90	100
Output Speed (rpm)	50Hz	465	300	150	100	75	60	50	37	33	30	25	21	19	17	15
	60Hz	570	360	180	120	90	72	60	45	40	36	30	25	23	20	18
Output Torque (kg.m)	50Hz	0.7	1.2	2.4	3.6	4.8	6	7.3	9.3	10.9	11.6	13.9	16.2	18.4	20.7	23
	60Hz	0.6	1	2	3	4	5	6	7.8	9.1	9.7	11.6	13.5	15.4	17.3	19.2

400W Horizontal AC Gear Motor Dimensions (Unit: mm)



Gear Ratio	Shaft Diameter	A	D	E	F	G	H	J	K	L	M	X	Y	Z	S	P	Q	W	T	Weight (kg)
3~10	22	325	65	130	158	90	11	18.17	60	13	160	152	97.5	125	22	40	35	7	25	11.1
15~90	28	360	90	140	178	120	11	20.8	70	14	160	178	116	125	28	45	40	7	31	12.5
100~200	32	395	130	170	200	168	13	30.2	70	18	160	215	138.5	125	32	55	50	10	35	26

400W Vertical AC Gear Motor Dimensions (Unit: mm)



Gear Ratio	Shaft Diameter	A	D	E	F	G	H	J	K	L	M	Y	Z	S	P	Q	W	T	Weight (kg)
3~10	22	325	148	185	176	165	11	18.17	45	12	160	3.5	125	22	40	35	7	25	11.5
15~90	28	360	170	220	218	200	11	20.8	58	14	160	4	125	28	45	40	7	31	13
100~200	32	395	185	255	248	225	13	30	66	16	160	4	125	32	55	50	10	32	27