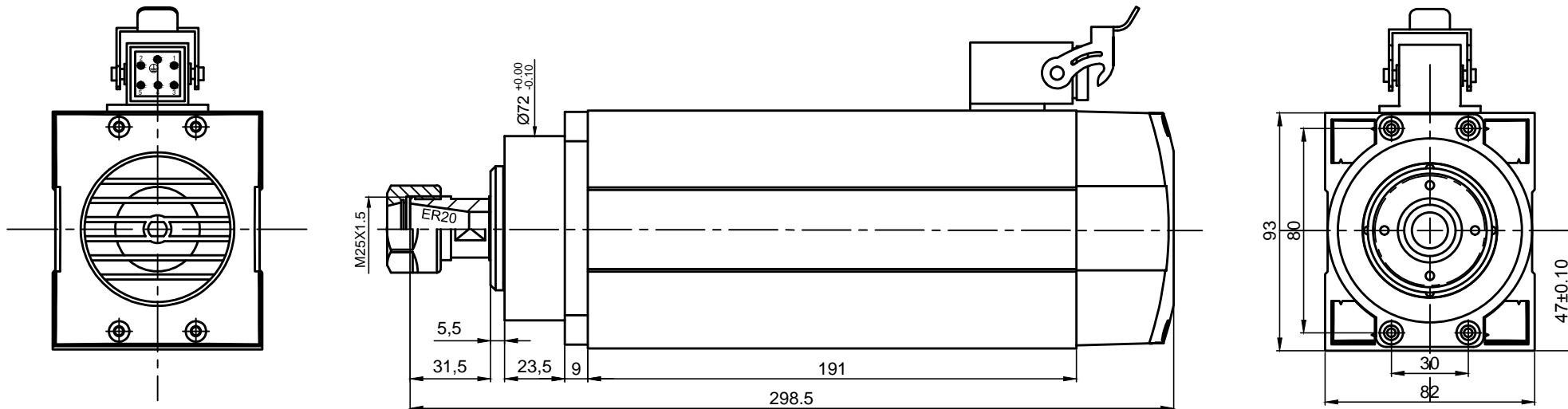
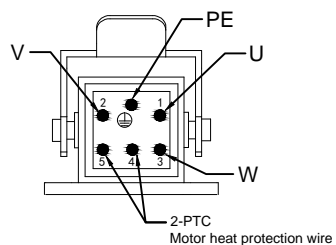


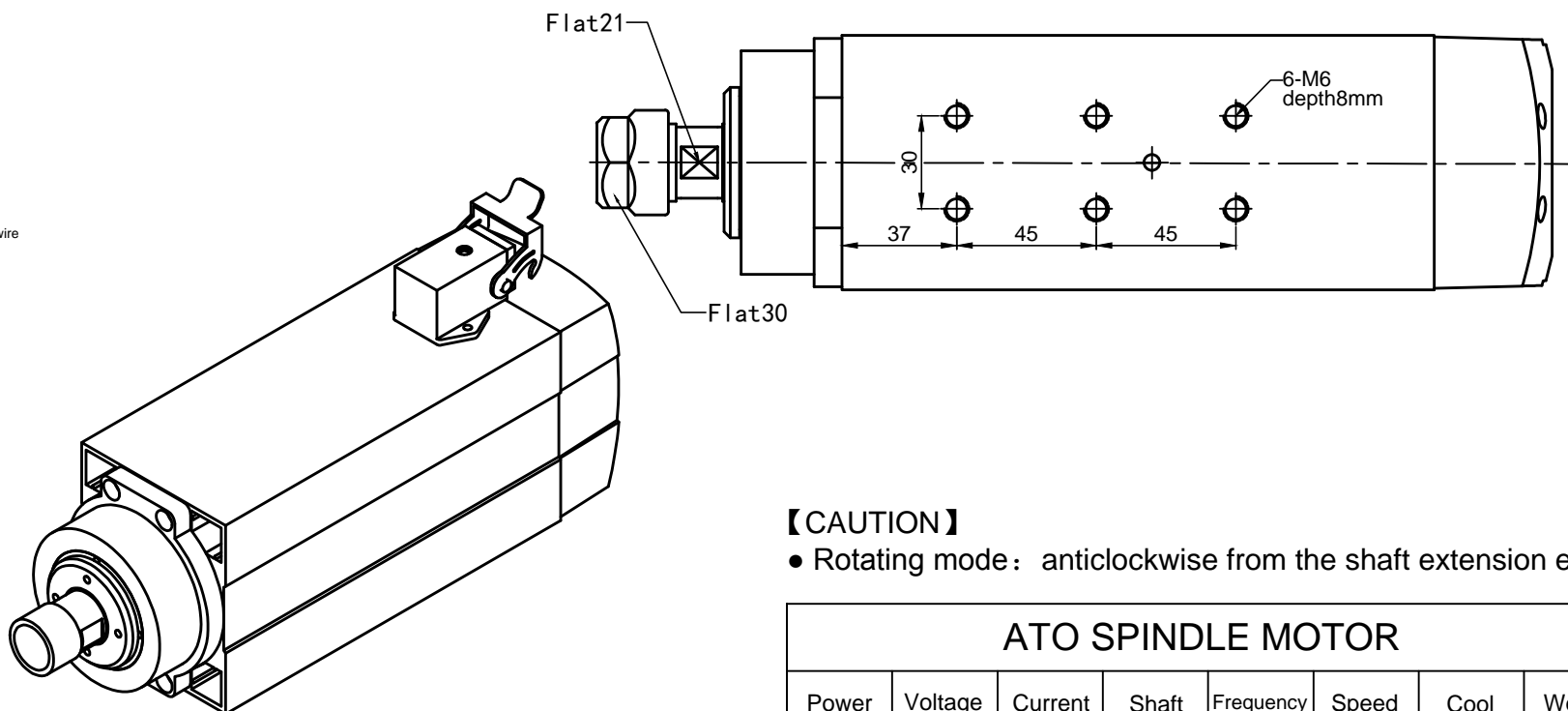
STF47-82-2.2-ER20



【Wiring description diagram】



| PTC single-core thermistor parameter |                             |
|--------------------------------------|-----------------------------|
| DC power supply                      | Maximum DC25V/100mA         |
| -20~25℃                              | ≤100Ω                       |
| ≤90℃                                 | ≤250Ω                       |
| 105℃                                 | ≤550Ω                       |
| 110℃                                 | Rated operating temperature |
| 115℃                                 | ≥1330Ω                      |
| ≥125℃                                | ≥4KΩ                        |
| ≤160℃                                | Maximum storage temperature |



【CAUTION】

- Rotating mode: anticlockwise from the shaft extension end

| ATO SPINDLE MOTOR |         |         |       |           |          |      |        |
|-------------------|---------|---------|-------|-----------|----------|------|--------|
| Power             | Voltage | Current | Shaft | Frequency | Speed    | Cool | Weight |
| 2.2KW             | 380V    | 4.8A    | ER20  | 300Hz     | 18000RPM | Air  | 7.5KG  |