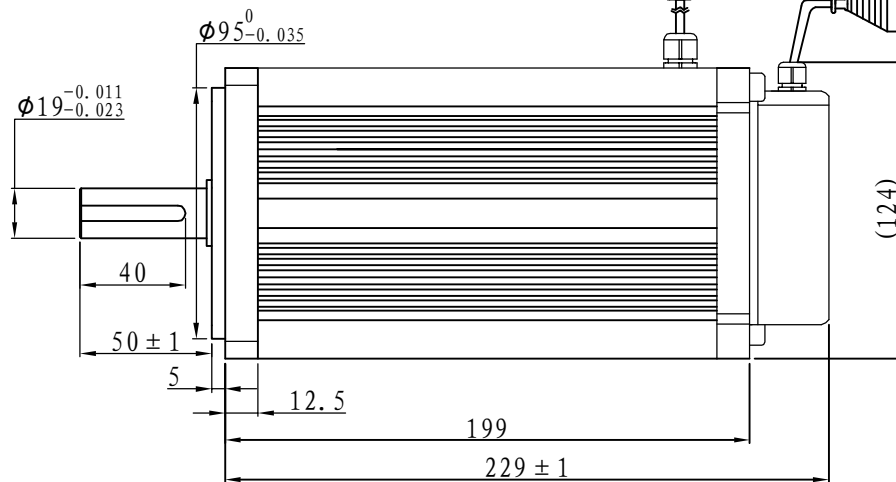
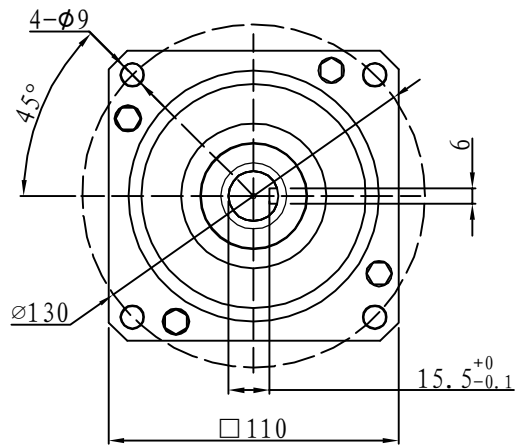
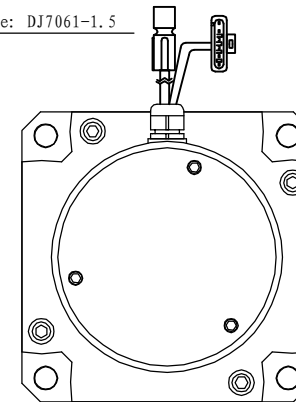


### Demension

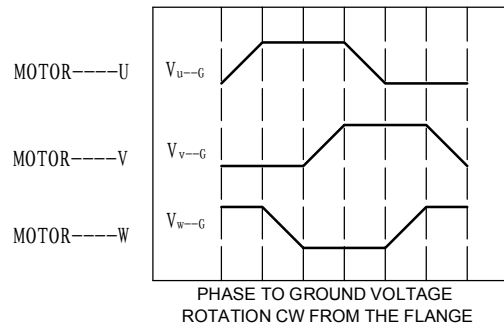
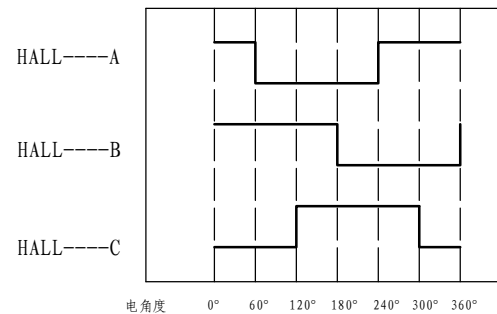


Motor power line: a length of 500 mm  
Plug-in models: SP75-8 #

Hall signal lines: a length of 500 mm  
Plug-in type: DJ7061-1.5



### Motor to Hall Relationship



### Line Define

#### Power Wire

Red	Motor U
Yellow	Motor V
Blue	Motor W

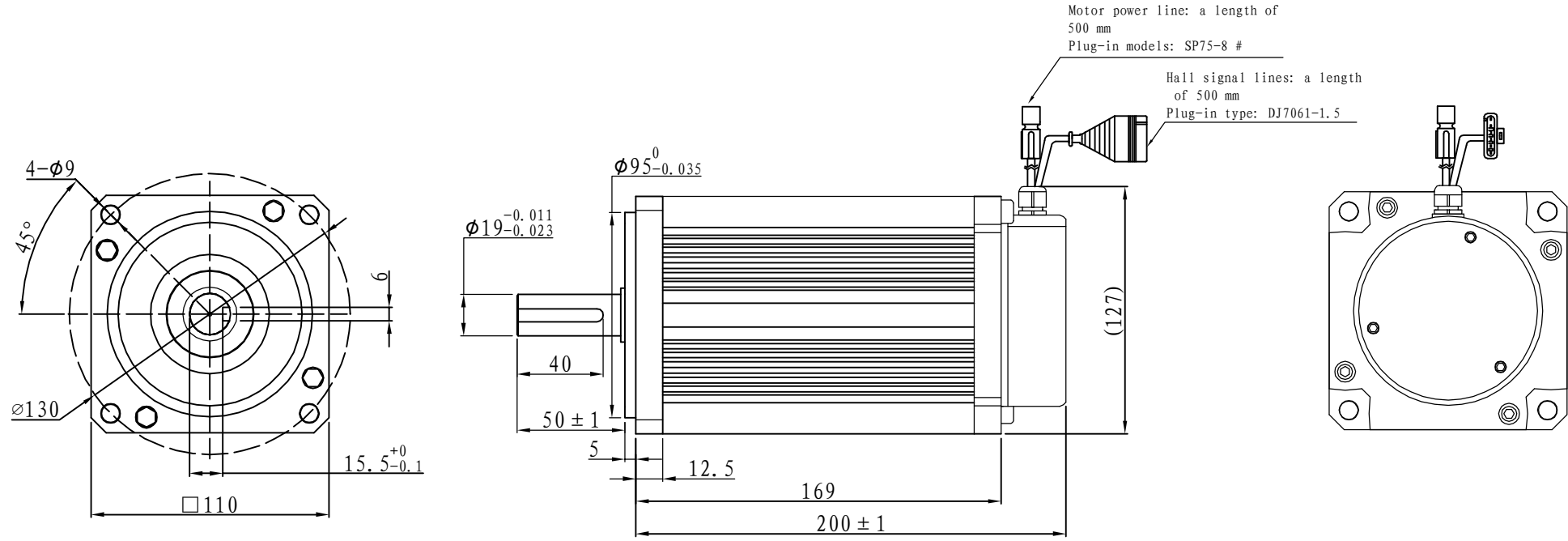
#### Feedback Wire

Hall line colour	Hall signal definition	Plug serial number
Orange and black	5V	1
Orange	0V	2
Yellow	Hall A	4
Blue	Hall B	5
Green	Hall C	6

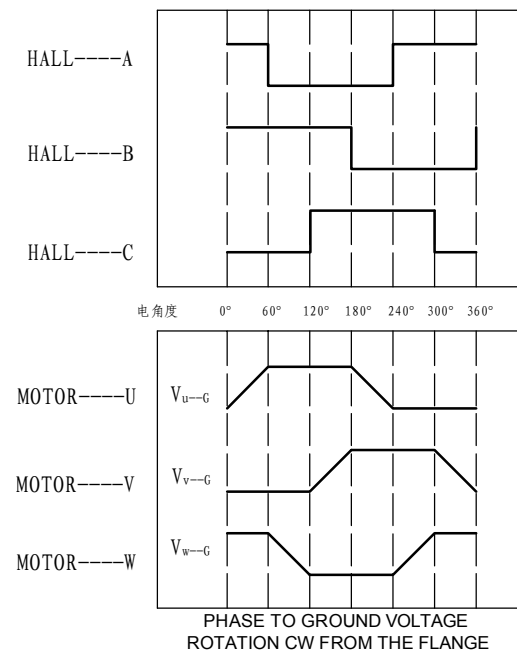
### Tecnical Data

Type	110WD-M06020-24V
Power (KW)	1.3
Rated voltage (V)	24
Rated current (A)	65.4
Rated speed (rpm)	2000
Rated torque (NM)	6
Rotor inertia (Kgcm <sup>2</sup> )	10
Protection rank	IP65
Insulation rank	F
Appropriate environment	Temperature: 0~50℃ Humidity: <90% (No dewdrop)
Motor weight (KG)	6.6

# Demension



## Motor to Hall Relationship



## Line Define

Power Wire

Red	Motor U
Yellow	Motor V
Blue	Motor W

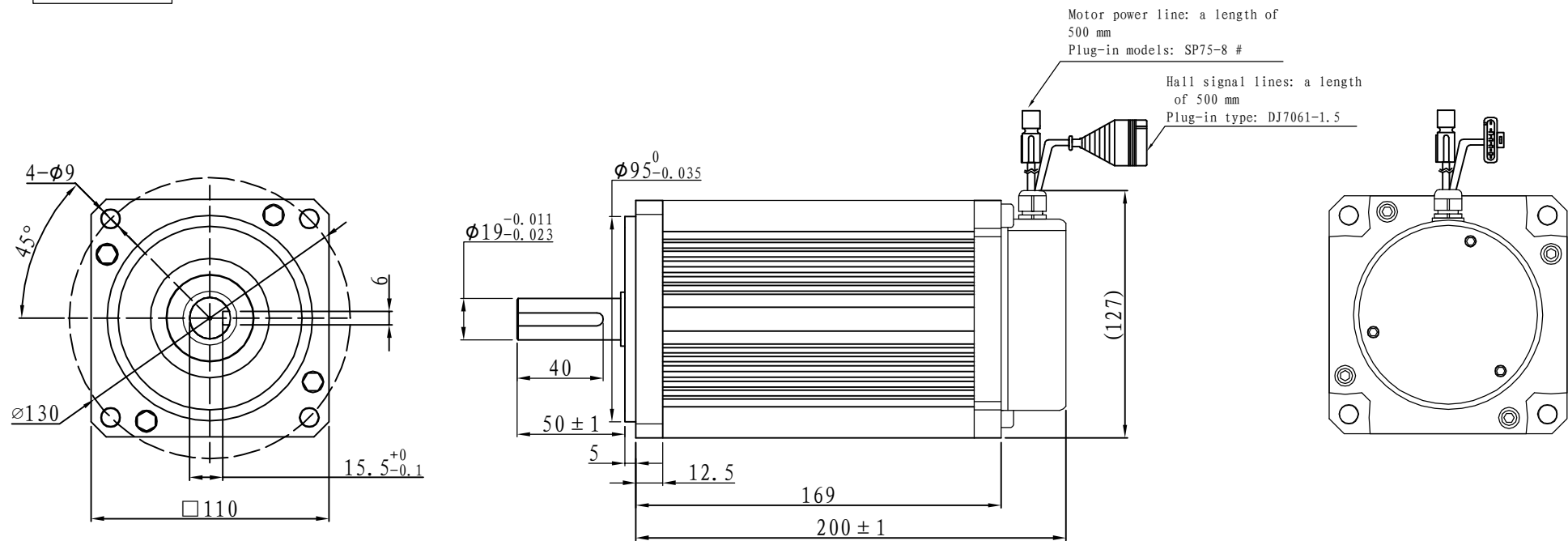
Feedback Wire

Hall line colour	Hall signal definition	Plug serial number
Orange and black	5V	1
Orange	0V	2
Yellow	Hall A	3
Blue	Hall B	4
Green	Hall C	5

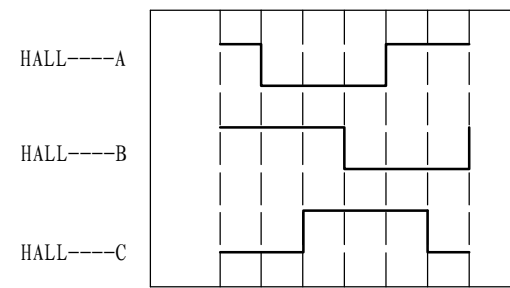
## Tecnichal Data

Type	110WD-M06020-48V
Power (KW)	1.3
Rated voltage (V)	48
Rated current (A)	32.7
Rated speed(rpm)	2000
Rated torque (NM)	6
Rotor inertia (Kgcm <sup>2</sup> )	10
Protection rank	IP65
Insulation rank	F
Appropriate environment	Temperature: 0~50°C Humidity: <90% (No dewdrop)
Motor weight (KG)	6.6

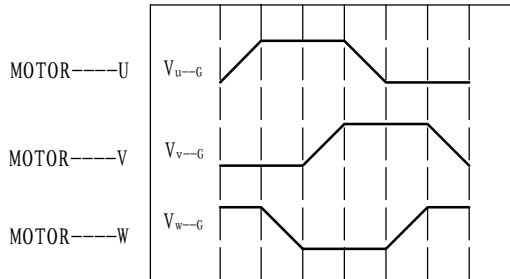
# Demension



## Motor to Hall Relationship



电角度 0° 60° 120° 180° 240° 300° 360°



PHASE TO GROUND VOLTAGE  
ROTATION CW FROM THE FLANGE

## Line Define

**Power Wire**

Red	Motor U
Yellow	Motor V
Blue	Motor W

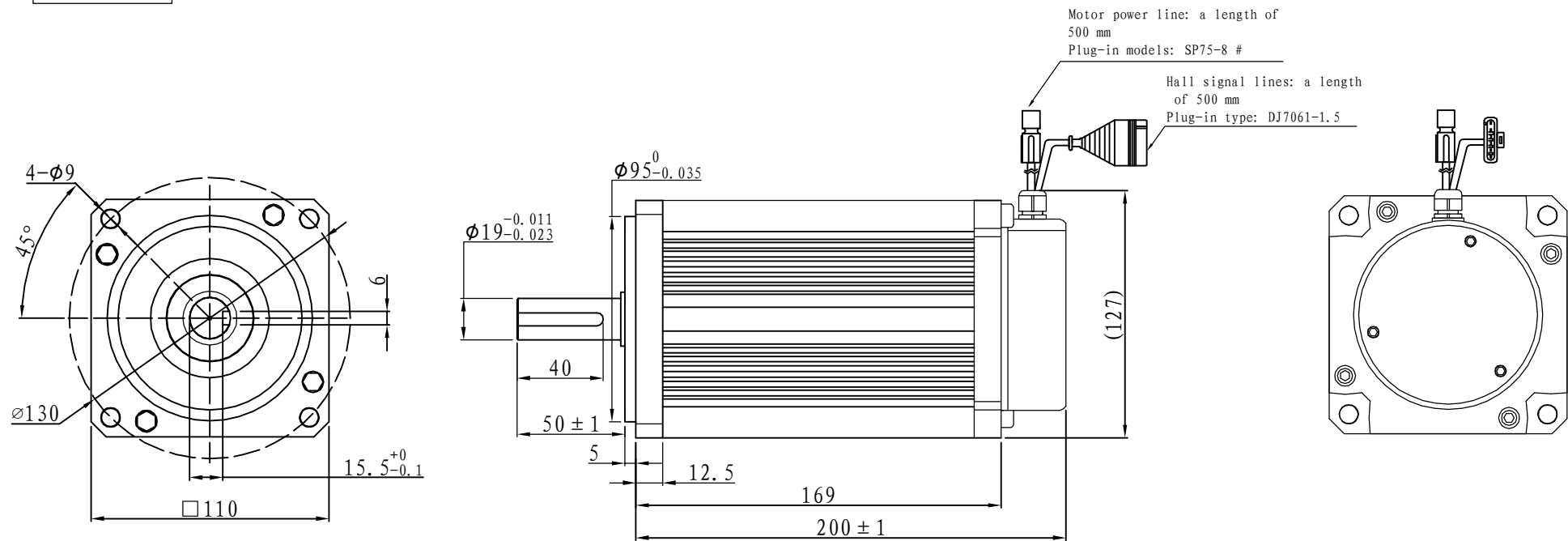
**Feedback Wire**

Hall line colour	Hall signal definition	Plug serial number
Orange and black	5V	1
Orange	0V	2
Yellow	Hall A	3
Blue	Hall B	4
Green	Hall C	5

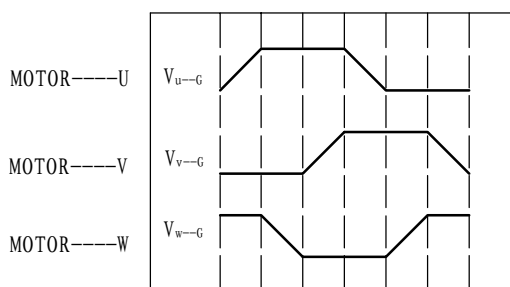
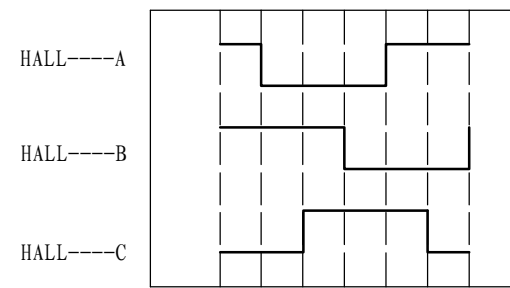
## Tecnichal Data

Type	110WD-M06020-72V
Power (KW)	1.3
Rated voltage (V)	72
Rated current (A)	21.8
Rated speed(rpm)	2000
Rated torque (NM)	6
Rotor inertia (Kgcm <sup>2</sup> )	10
Protection rank	IP65
Insulation rank	F
Appropriate environment	<b>Temperature: 0 ~ 50°C</b> <b>Humidity: &lt; 90%</b> <b>(No dewdrop)</b>
Motor weight (KG)	6.6

# Demension



## Motor to Hall Relationship



PHASE TO GROUND VOLTAGE  
 ROTATION CW FROM THE FLANGE

## Line Define

### Power Wire

Red	Motor U
Yellow	Motor V
Blue	Motor W

### Feedback Wire

Hall line colour	Hall signal definition	Plug serial number
Orange and black	5V	1
Orange	0V	2
Yellow	Hall A	3
Blue	Hall B	4
Green	Hall C	5

## Tecnichal Data

Type	110WD-M06020-96V
Power (KW)	1.3
Rated voltage (V)	96
Rated current (A)	16.4
Rated speed(rpm)	2000
Rated torque (NM)	6
Rotor inertia (Kgcm <sup>2</sup> )	10
Protection rank	IP65
Insulation rank	F
Appropriate environment	<b>Temperature: 0 ~ 50°C</b> <b>Humidity: &lt; 90%</b> <b>(No dewdrop)</b>
Motor weight (KG)	6.6