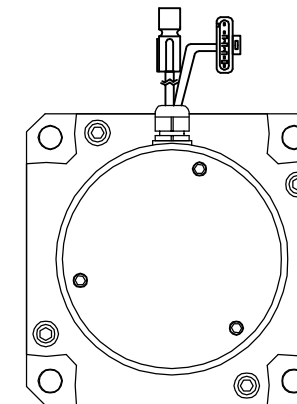
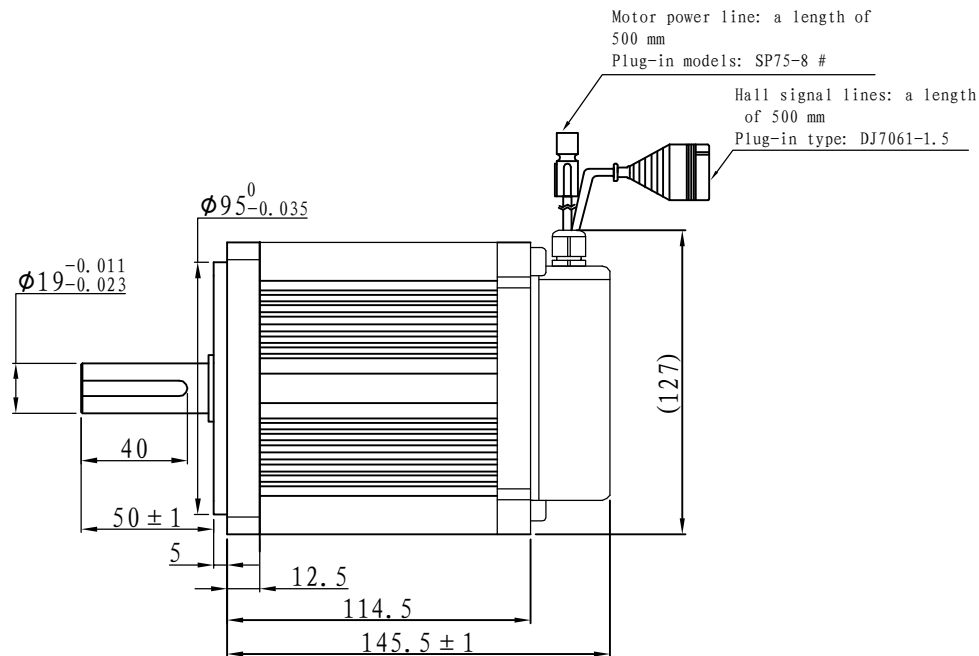
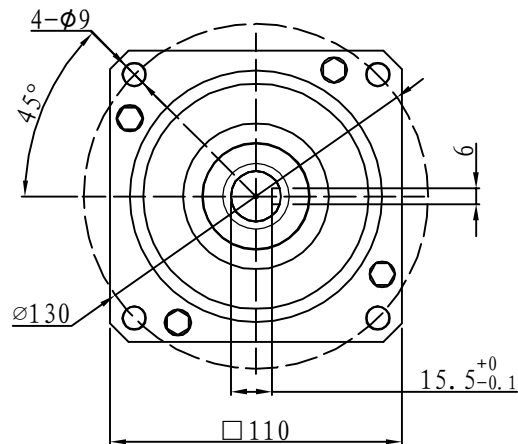
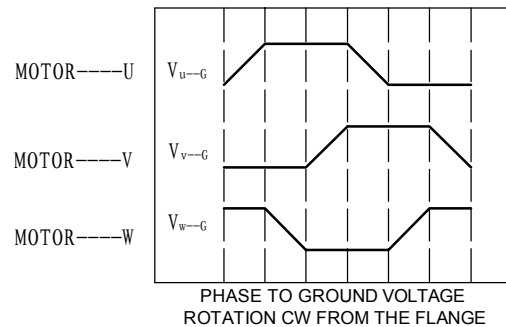
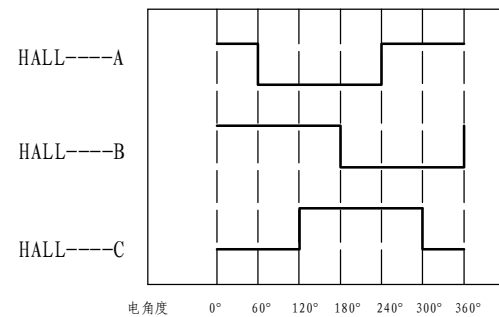


Demension



Motor to Hall Relationship



Line Define

Power Wire

| | |
|--------|---------|
| Red | Motor U |
| Yellow | Motor V |
| Blue | Motor W |

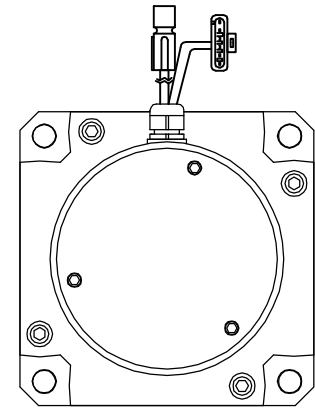
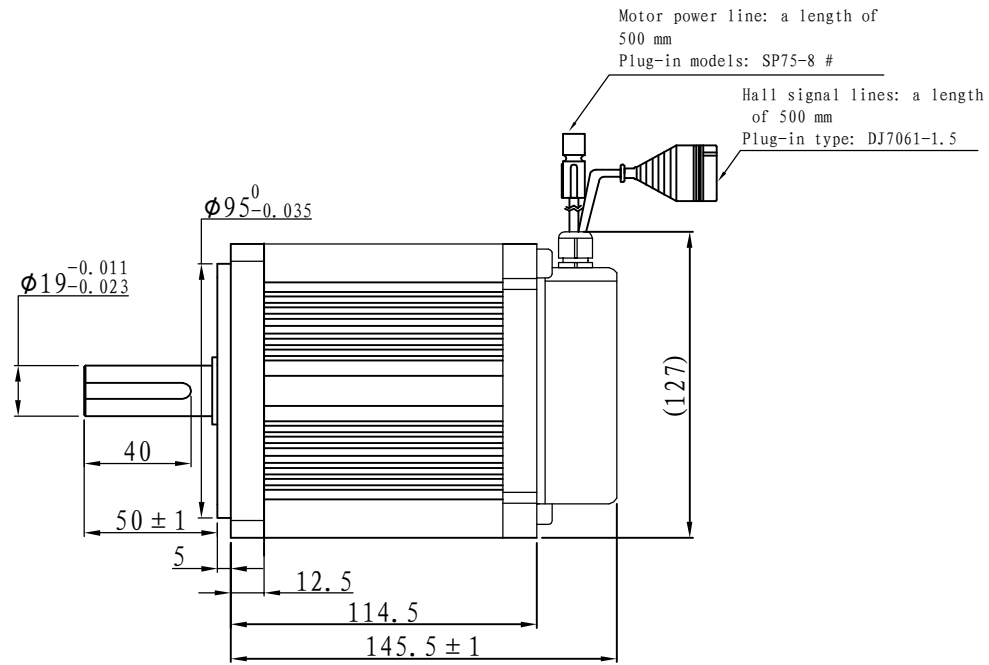
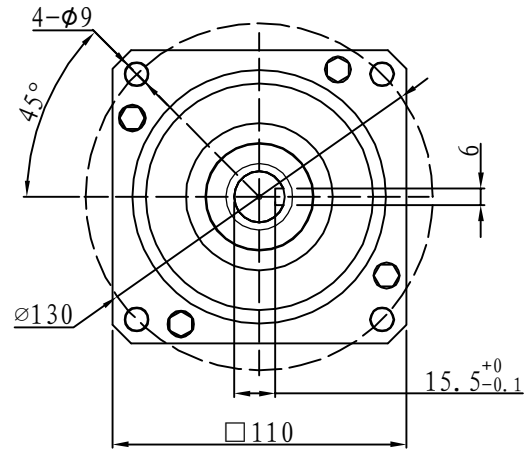
Feedback Wire

| Hall line colour | Hall signal definition | Plug serial number |
|------------------|------------------------|--------------------|
| Orange and black | 5V | 1 |
| Orange | 0V | 2 |
| Yellow | Hall A | 4 |
| Blue | Hall B | 5 |
| Green | Hall C | 6 |

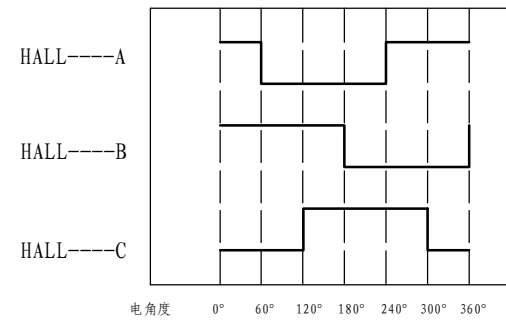
Tecnichal Data

| | |
|------------------------------------|--|
| Type | 110WD-M02020-24V |
| Power (KW) | 0.4 |
| Rated voltage (V) | 24 |
| Rated current (A) | 21.8 |
| Rated speed (rpm) | 2000 |
| Rated torque (NM) | 2 |
| Rotor inertia (Kgcm ²) | 3.3 |
| Protection rank | IP65 |
| Insulation rank | F |
| Appropriate environment | Temperature: 0 ~ 50°C Humidity: < 90% (No dewdrop) |
| Motor weight (KG) | 3.2 |

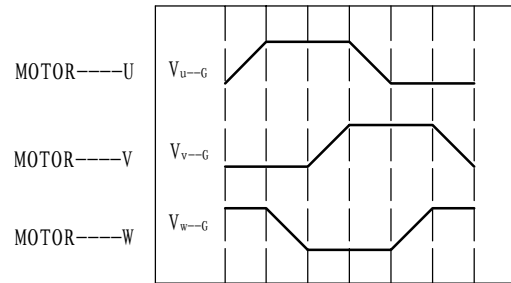
Demension



Motor to Hall Relationship



电角度 0° 60° 120° 180° 240° 300° 360°



PHASE TO GROUND VOLTAGE
ROTATION CW FROM THE FLANGE

Line Define

Power Wire

| | |
|--------|---------|
| Red | Motor U |
| Yellow | Motor V |
| Blue | Motor W |

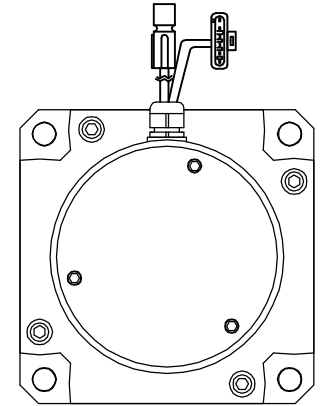
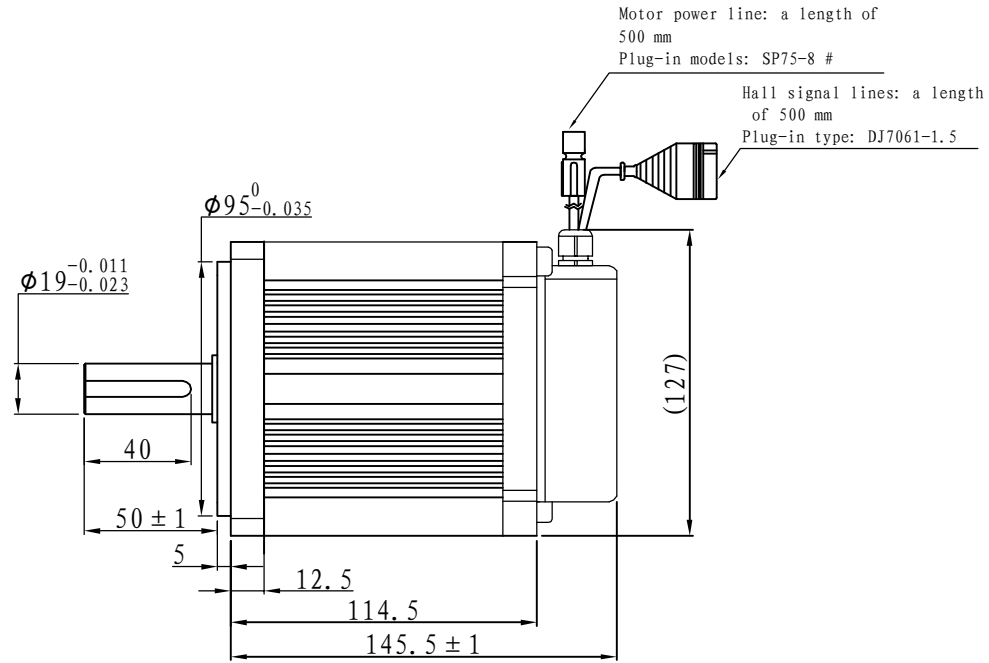
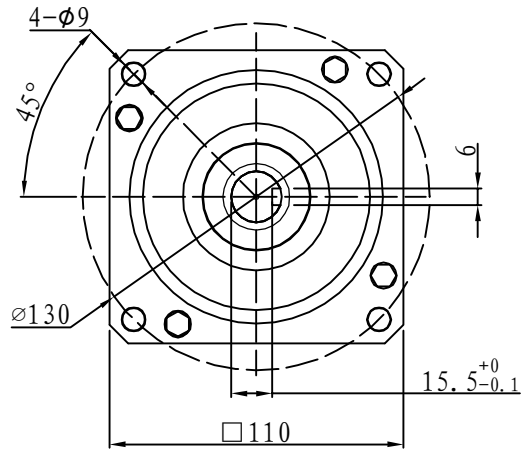
Feedback Wire

| Hall line colour | Hall signal definition | Plug serial number |
|------------------|------------------------|--------------------|
| Orange and black | 5V | 1 |
| Orange | 0V | 2 |
| Yellow | Hall A | 3 |
| Blue | Hall B | 4 |
| Green | Hall C | 5 |

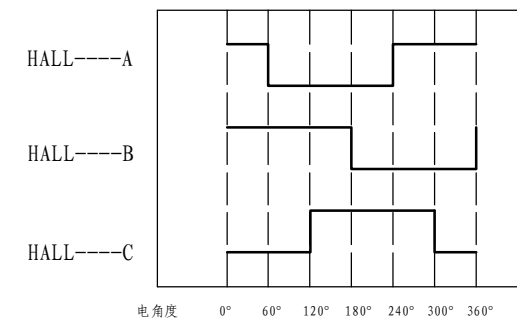
Tecnichal Data

| | |
|------------------------------------|--|
| Type | 110WD-M02020-48V |
| Power (KW) | 0.4 |
| Rated voltage (V) | 48 |
| Rated current (A) | 10.9 |
| Rated speed (rpm) | 2000 |
| Rated torque (NM) | 2 |
| Rotor inertia (Kgc ^{m2}) | 3.3 |
| Protection rank | IP65 |
| Insulation rank | F |
| Appropriate environment | Temperature: 0 ~ 50°C Humidity: < 90% (No dewdrop) |
| Motor weight (KG) | 3.2 |

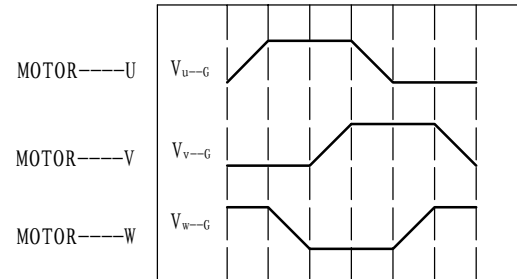
Demension



Motor to Hall Relationship



电角度 0° 60° 120° 180° 240° 300° 360°



PHASE TO GROUND VOLTAGE
ROTATION CW FROM THE FLANGE

Line Define

Power Wire

| | |
|--------|---------|
| Red | Motor U |
| Yellow | Motor V |
| Blue | Motor W |

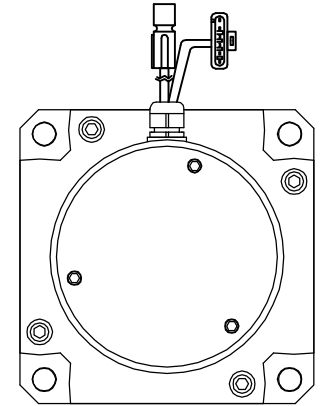
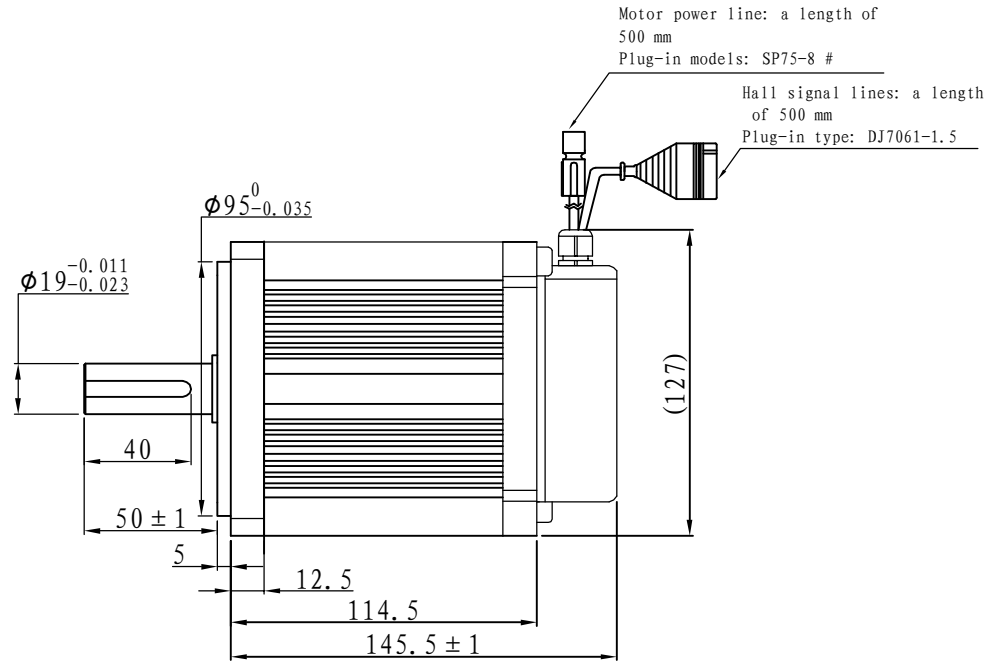
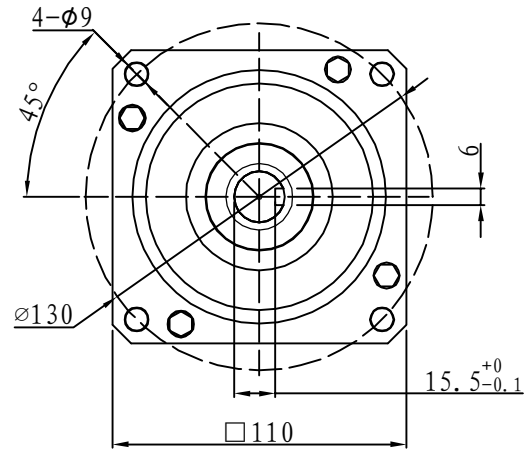
Feedback Wire

| Hall line colour | Hall signal definition | Plug serial number |
|------------------|------------------------|--------------------|
| Orange and black | 5V | 1 |
| Orange | 0V | 2 |
| Yellow | Hall A | 3 |
| Blue | Hall B | 4 |
| Green | Hall C | 5 |

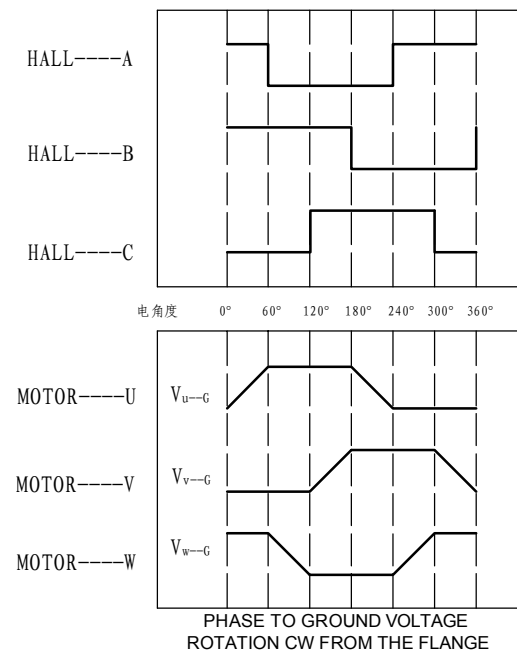
Tecnichal Data

| | |
|-----------------------------------|--|
| Type | 110WD-M02020-72V |
| Power (KW) | 0.4 |
| Rated voltage (V) | 72 |
| Rated current (A) | 7.3 |
| Rated speed (rpm) | 2000 |
| Rated torque (NM) | 2 |
| Rotor inertia (Kgc ²) | 3.3 |
| Protection rank | IP65 |
| Insulation rank | F |
| Appropriate environment | Temperature: 0 ~ 50°C Humidity: < 90% (No dewdrop) |
| Motor weight (KG) | 3.2 |

Demension



Motor to Hall Relationship



Line Define

Power Wire

| | |
|--------|---------|
| Red | Motor U |
| Yellow | Motor V |
| Blue | Motor W |

Feedback Wire

| Hall line colour | Hall signal definition | Plug serial number |
|------------------|------------------------|--------------------|
| Orange and black | 5V | 1 |
| Orange | 0V | 2 |
| Yellow | Hall A | 3 |
| Blue | Hall B | 4 |
| Green | Hall C | 5 |

Tecnichal Data

| | |
|------------------------------------|--|
| Type | 110WD-M02020-96V |
| Power (KW) | 0.4 |
| Rated voltage (V) | 96 |
| Rated current (A) | 5.5 |
| Rated speed (rpm) | 2000 |
| Rated torque (NM) | 2 |
| Rotor inertia (Kgc ^m 2) | 3.3 |
| Protection rank | IP65 |
| Insulation rank | F |
| Appropriate environment | Temperature: 0 ~ 50°C Humidity: < 90% (No dewdrop) |
| Motor weight (KG) | 3.2 |