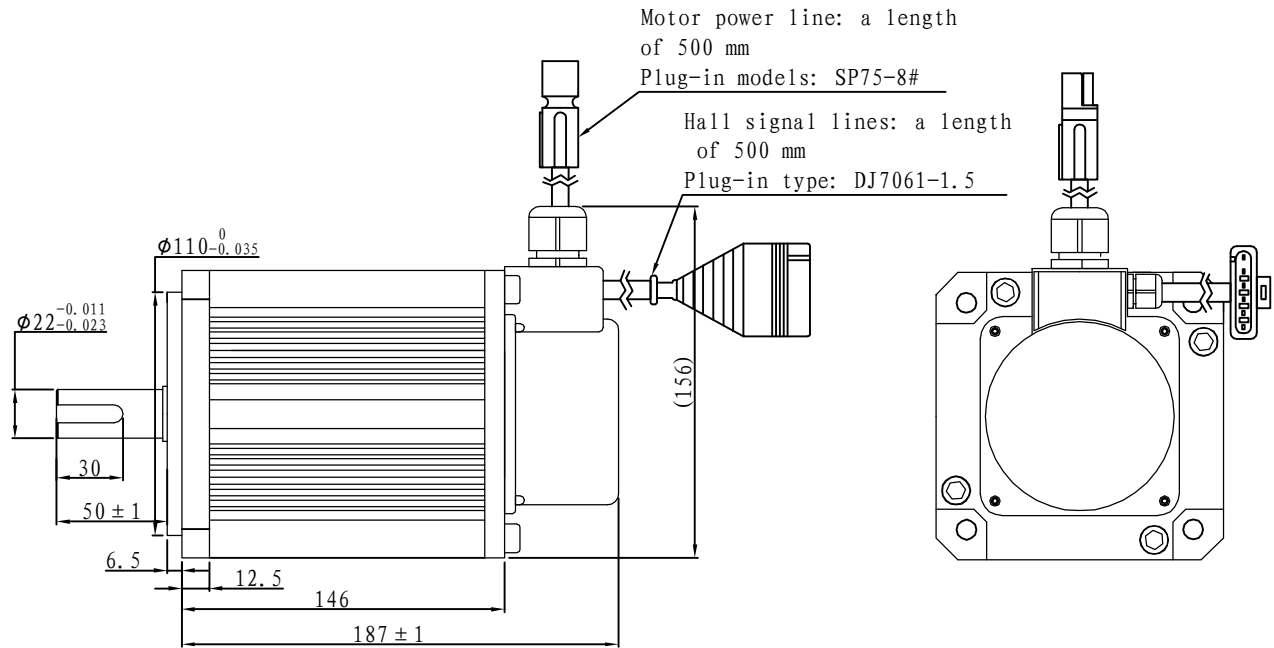
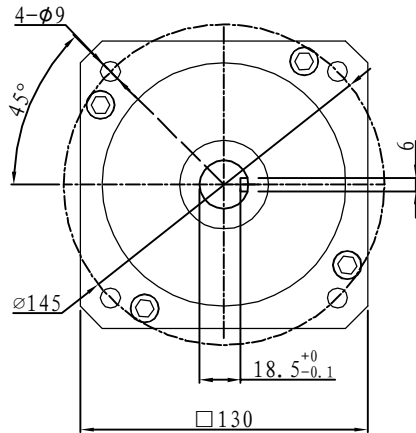
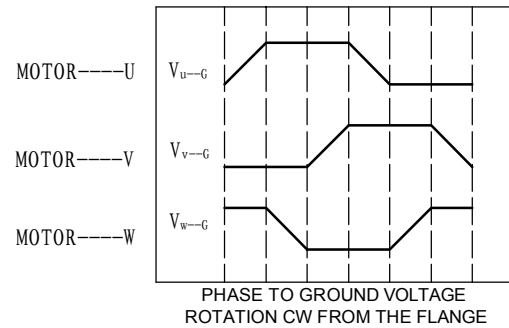
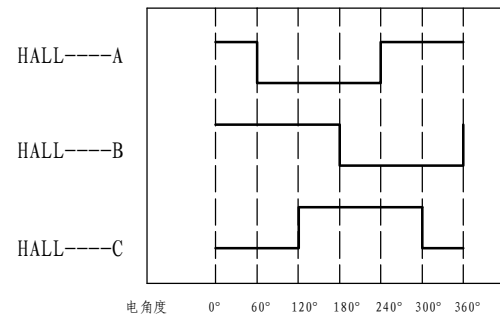


Demension



Motor to Hall Relationship



Line Define

Power Wire

Red	Motor U
Yellow	Motor V
Blue	Motor W

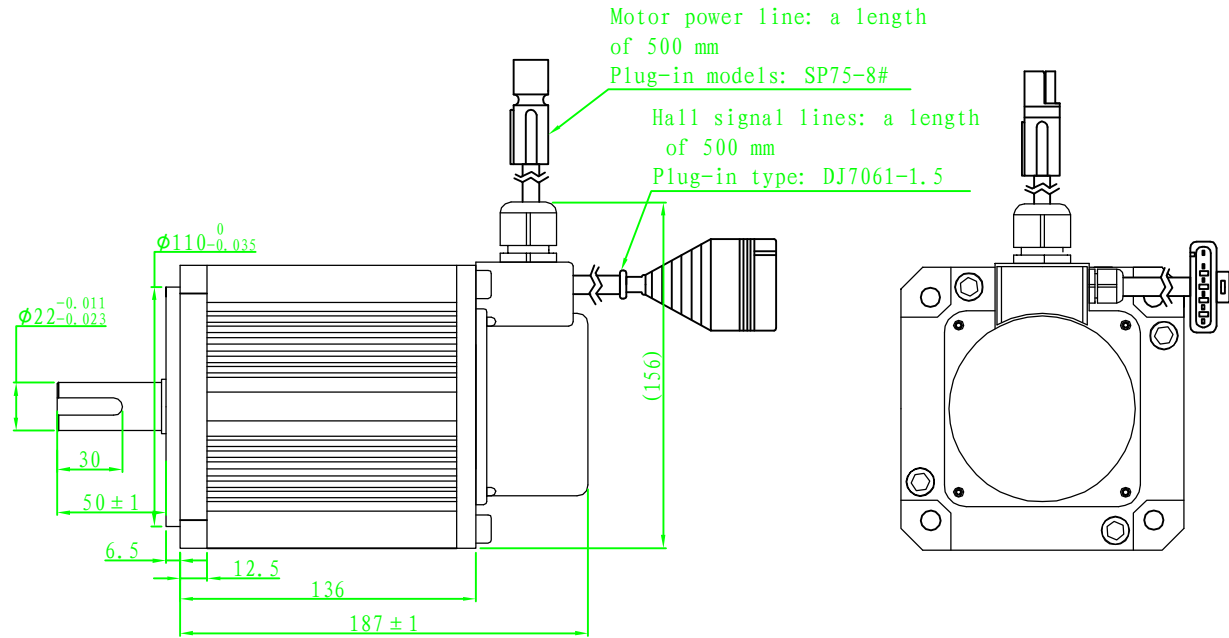
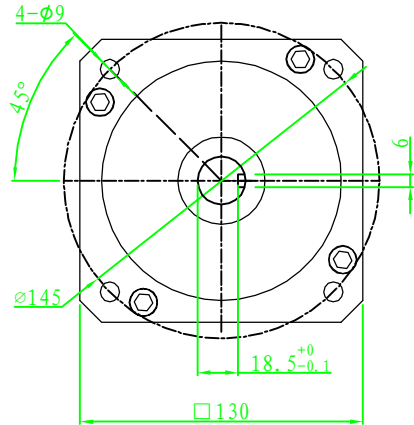
Feedback Wire

Hall line colour	Hall signal definition	Plug serial number
Orange and black	5V	1
Orange	0V	2
Yellow	Hall A	4
Blue	Hall B	5
Green	Hall C	6

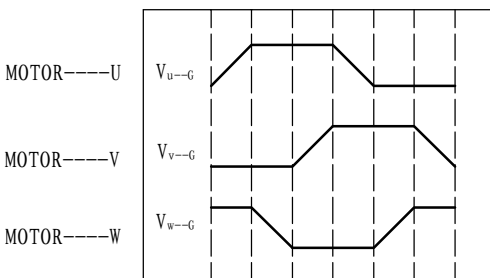
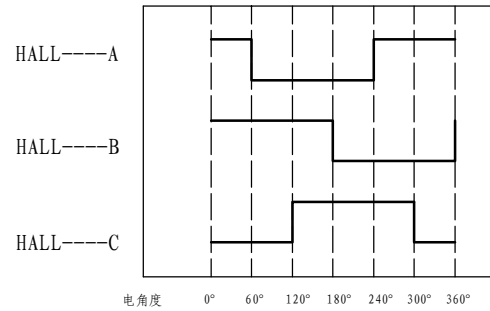
Tecnichal Data

Type	130WD-M06030-24V
Power (KW)	1.9
Rated voltage (V)	24
Rated current (A)	92.4
Rated speed (rpm)	3000
Rated torque (NM)	6
Rotor inertia (Kgc ^{m2})	12.4
Protection rank	IP65
Insulation rank	F
Appropriate environment	Temperature: 0~50℃ Humidity: <90% (No dewdrop)
Motor weight (KG)	7.7

Demension



Motor to Hall Relationship



PHASE TO GROUND VOLTAGE
 ROTATION CW FROM THE FLANGE

Line Define

Power Wire

Red	Motor U
Yellow	Motor V
Blue	Motor W

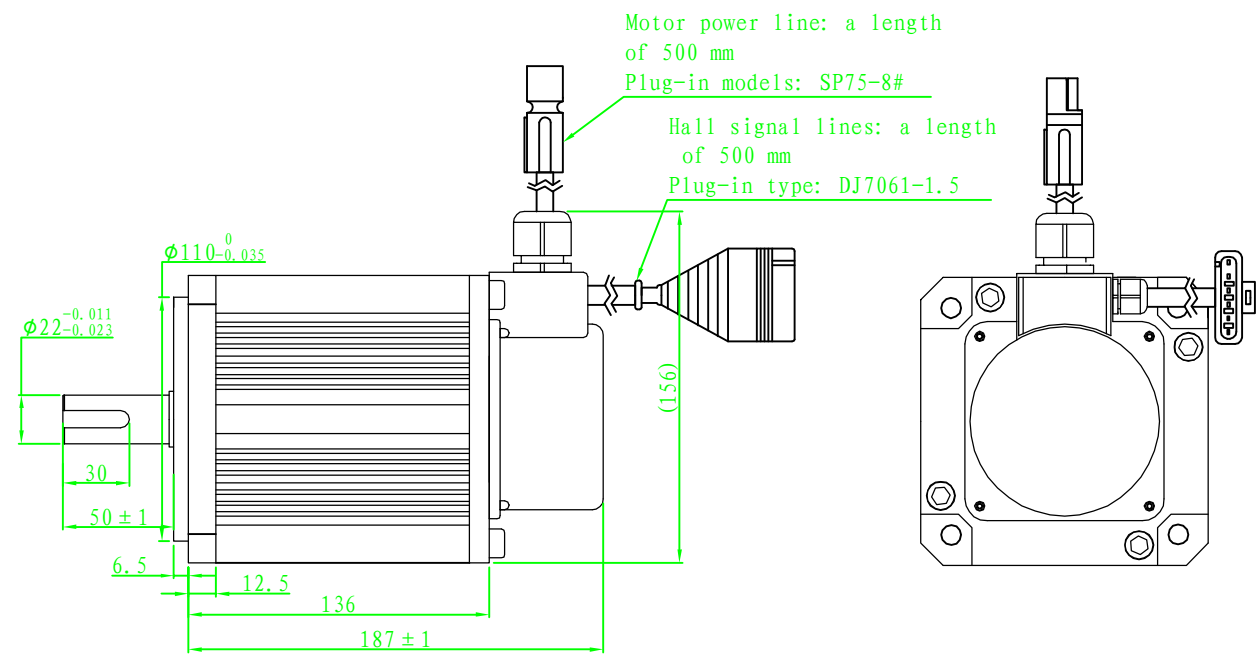
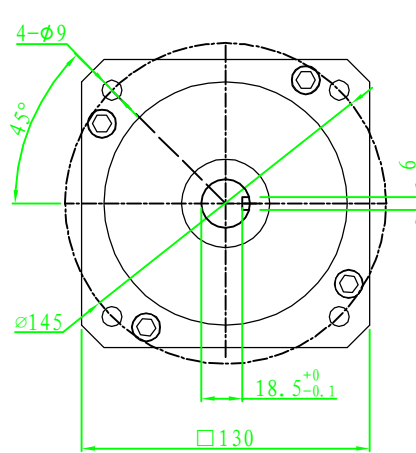
Feedback Wire

Hall line colour	Hall signal definition	Plug serial number
Orange and black	5V	1
Orange	0V	2
Yellow	Hall A	4
Blue	Hall B	5
Green	Hall C	6

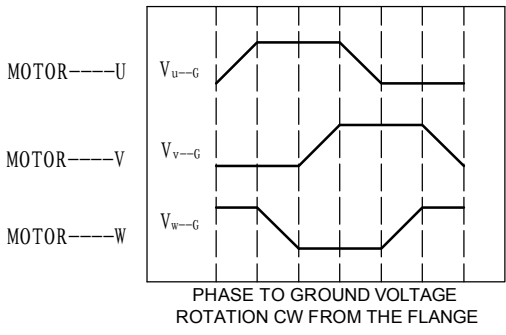
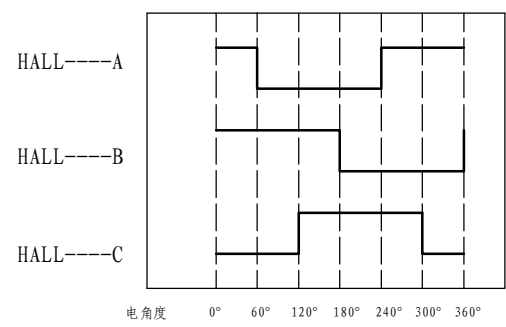
Tecnichal Data

Type	130WD-M06030-48V
Power (KW)	1.8
Rated voltage (V)	48
Rated current (A)	44
Rated speed (rpm)	3000
Rated torque (NM)	6
Rotor inertia (Kgcm2)	12.4
Protection rank	IP65
Insulation rank	F
Appropriate environment	Temperature: 0~50℃ Humidity: <90% (No dewdrop)
Motor weight (KG)	7.7

Demension



Motor to Hall Relationship



Line Define

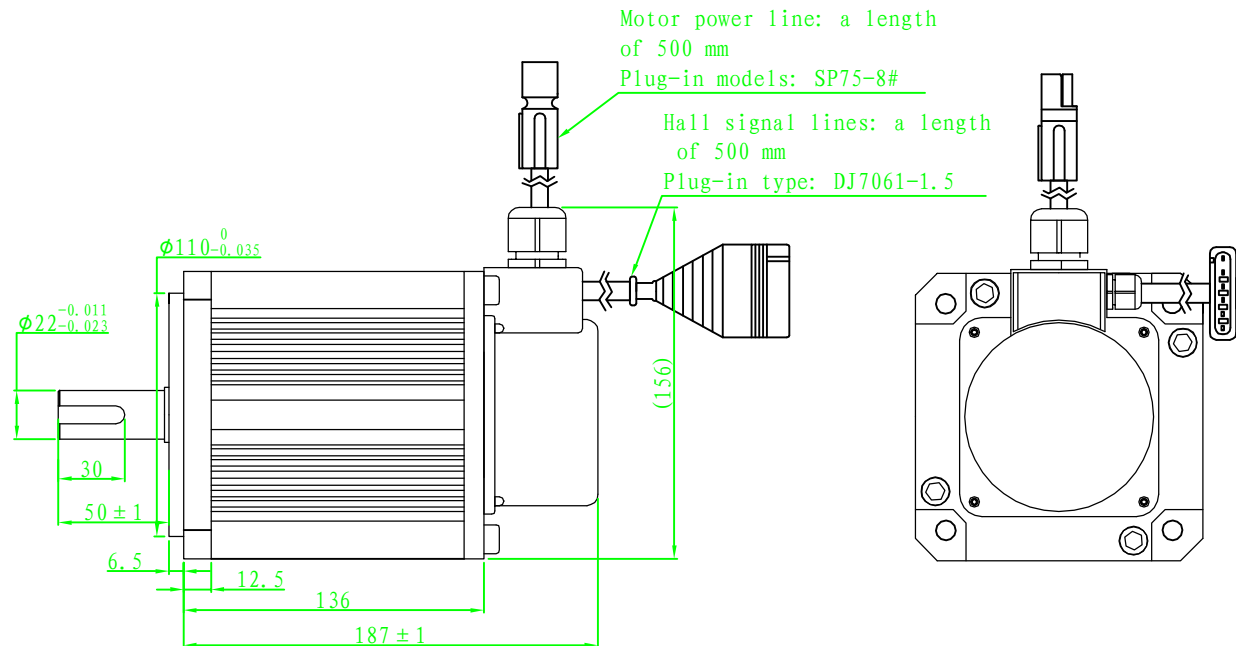
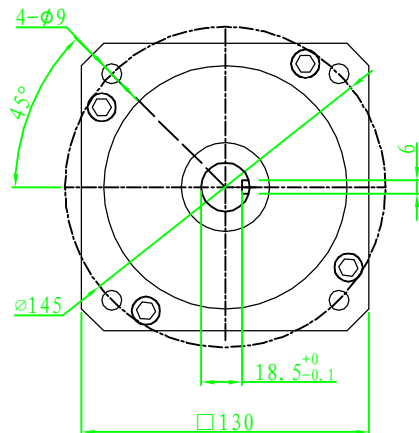
Power Wire	
Red	Motor U
Yellow	Motor V
Blue	Motor W

Feedback Wire		
Hall line colour	Hall signal definition	Plug serial number
Orange and black	5V	1
Orange	0V	2
Yellow	Hall A	4
Blue	Hall B	5
Green	Hall C	6

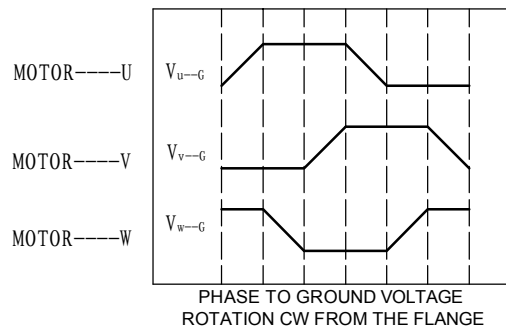
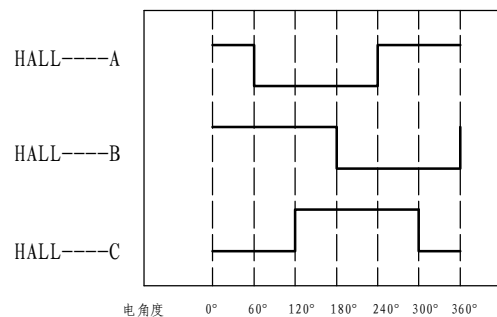
Tecnichal Data

Type	130WD-M06030-72V
Power (KW)	1.9
Rated voltage (V)	72
Rated current (A)	30.8
Rated speed (rpm)	3000
Rated torque (NM)	6
Rotor inertia (Kgm ²)	12.4
Protection rank	IP65
Insulation rank	F
Appropriate environment	Temperature: 0~50℃ Humidity: <90% (No dewdrop)
Motor weight (KG)	7.7

Demension



Motor to Hall Relationship



Line Define

Power Wire

Red	Motor U
Yellow	Motor V
Blue	Motor W

Feedback Wire

Hall line colour	Hall signal definition	Plug serial number
Orange and black	5V	1
Orange	0V	2
Yellow	Hall A	4
Blue	Hall B	5
Green	Hall C	6

Tecnichal Data

Type	130WD-M06030-96V
Power (KW)	1.9
Rated voltage (V)	96
Rated current (A)	23.1
Rated speed (rpm)	3000
Rated torque (NM)	6
Rotor inertia (Kgcm ²)	12.4
Protection rank	IP65
Insulation rank	F
Appropriate environment	Temperature: 0~50℃ Humidity: <90% (No dewdrop)
Motor weight (KG)	7.7