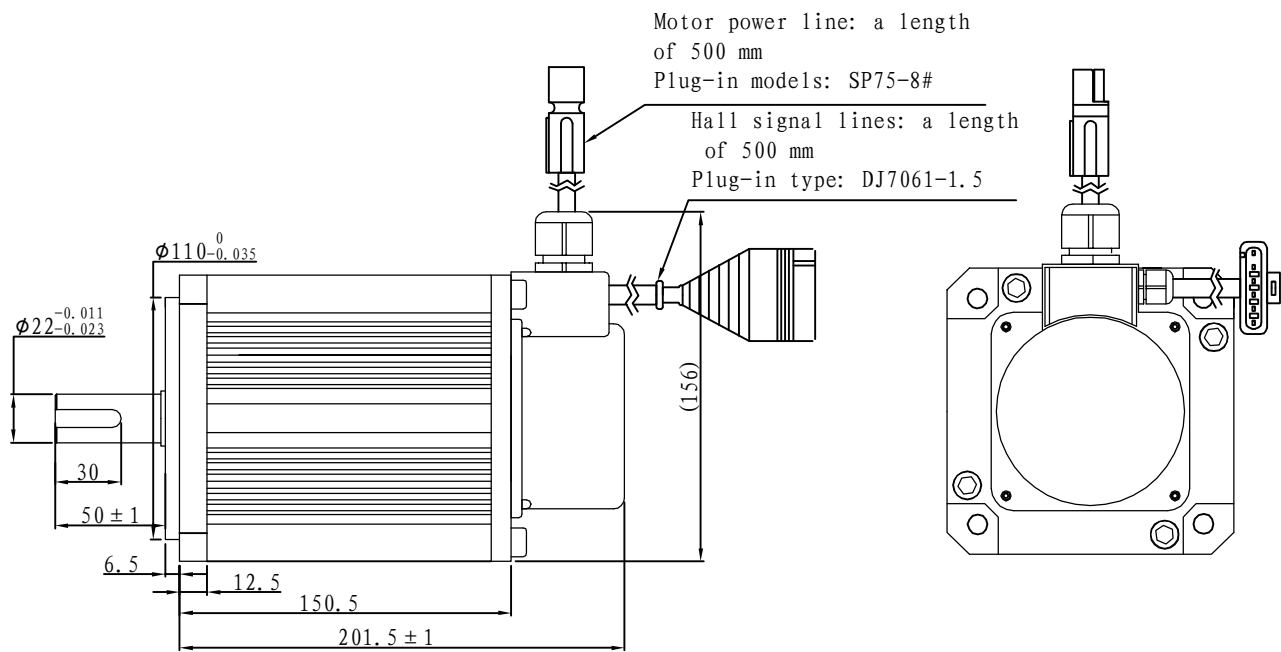
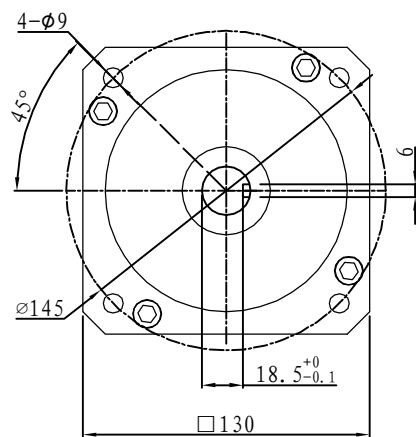
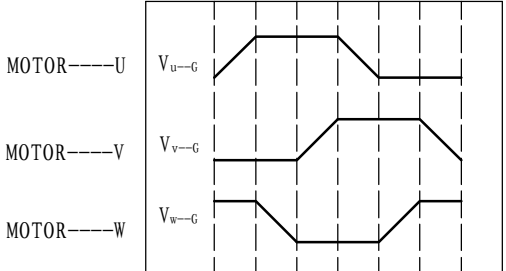
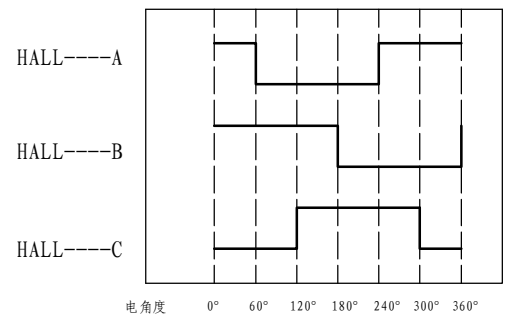


Demension



Motor to Hall Relationship



PHASE TO GROUND VOLTAGE
ROTATION CW FROM THE FLANGE

Line Define

Power Wire

| | |
|--------|---------|
| Red | Motor U |
| Yellow | Motor V |
| Blue | Motor W |

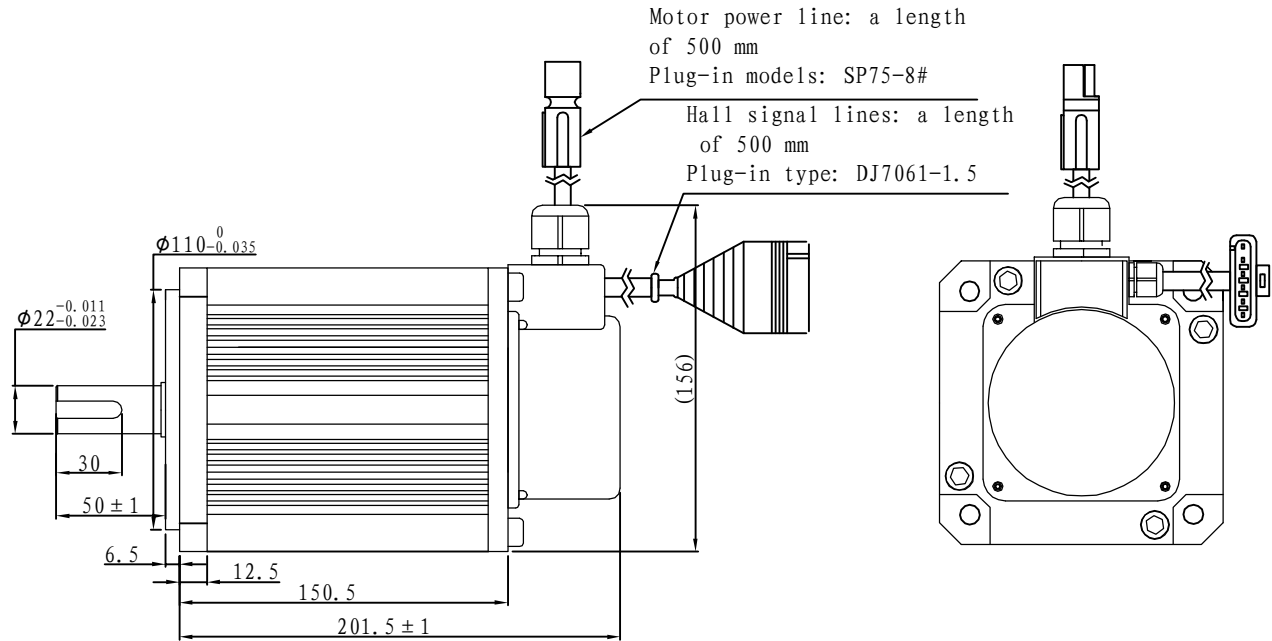
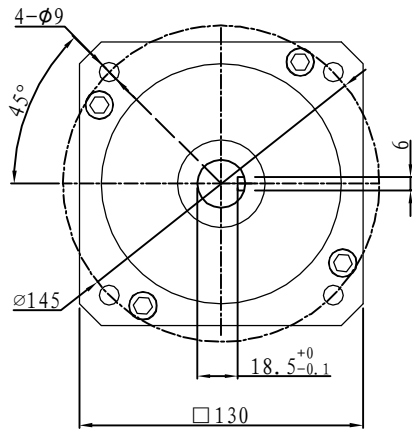
Feedback Wire

| Hall line colour | Hall signal definition | Plug serial number |
|------------------|------------------------|--------------------|
| Orange and black | 5V | 1 |
| Orange | 0V | 2 |
| Yellow | Hall A | 4 |
| Blue | Hall B | 5 |
| Green | Hall C | 6 |

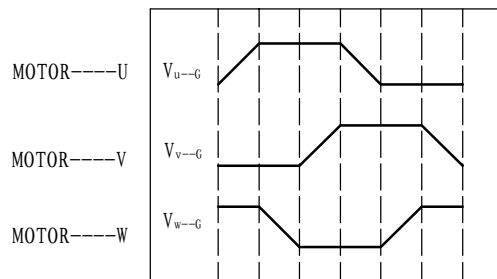
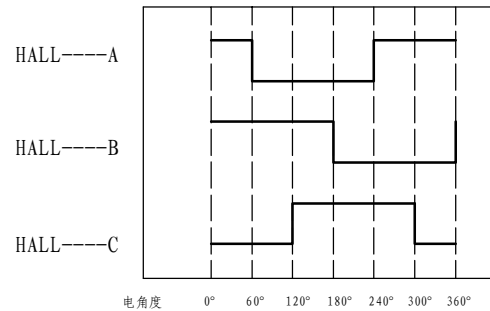
Tecnichal Data

| | |
|-------------------------|---|
| Type | 130WD-M07730-48V |
| Power (KW) | 2.4 |
| Rated voltage (V) | 48 |
| Rated current (A) | 59.3 |
| Rated speed (rpm) | 3000 |
| Rated torque (NM) | 7.7 |
| Rotor inertia (Kgcm2) | 15.8 |
| Protection rank | IP65 |
| Insulation rank | F |
| Appropriate environment | Temperature: 0 ~ 50°C Humidity: <90% (No dewdrop) |
| Motor weight (KG) | 9.05 |

Demension



Motor to Hall Relationship



PHASE TO GROUND VOLTAGE
ROTATION CW FROM THE FLANGE

Line Define

Power Wire

| | |
|--------|---------|
| Red | Motor U |
| Yellow | Motor V |
| Blue | Motor W |

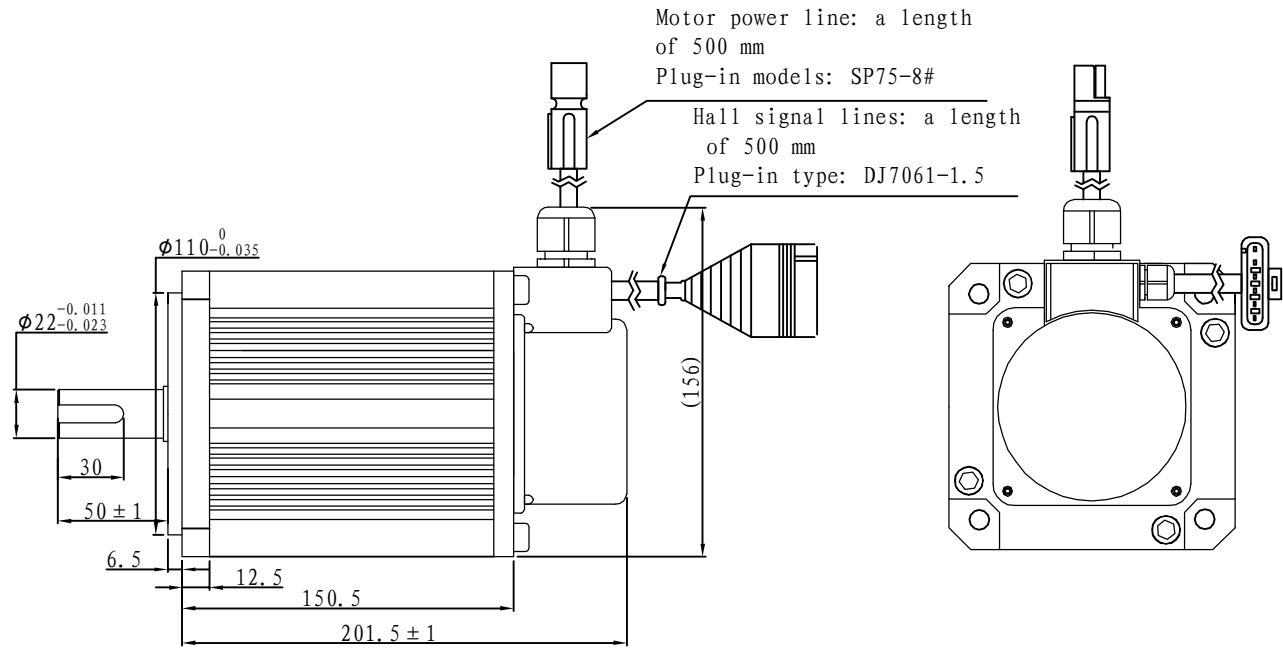
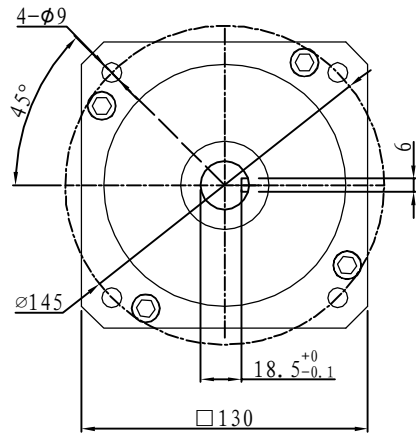
Feedback Wire

| Hall line colour | Hall signal definition | Plug serial number |
|------------------|------------------------|--------------------|
| Orange and black | 5V | 1 |
| Orange | 0V | 2 |
| Yellow | Hall A | 4 |
| Blue | Hall B | 5 |
| Green | Hall C | 6 |

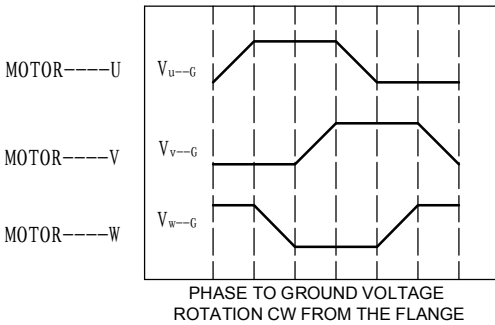
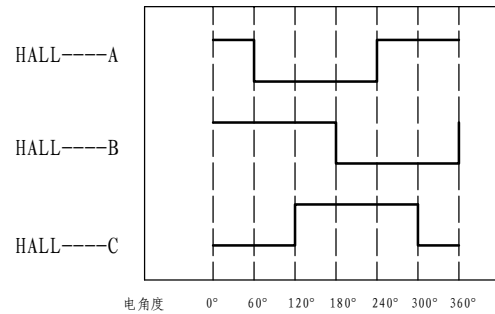
Tecnichal Data

| | |
|------------------------------------|---|
| Type | 130WD-M07730-72V |
| Power (KW) | 2.4 |
| Rated voltage (V) | 72 |
| Rated current (A) | 39.5 |
| Rated speed (rpm) | 3000 |
| Rated torque (NM) | 7.7 |
| Rotor inertia (Kgcm ²) | 15.8 |
| Protection rank | IP65 |
| Insulation rank | F |
| Appropriate environment | Temperature: 0 ~ 50°C Humidity: <90% (No dewdrop) |
| Motor weight (KG) | 9.05 |

Demension



Motor to Hall Relationship



Line Define

Power Wire

| | |
|--------|---------|
| Red | Motor U |
| Yellow | Motor V |
| Blue | Motor W |

Feedback Wire

| Hall line colour | Hall signal definition | Plug serial number |
|------------------|------------------------|--------------------|
| Orange and black | 5V | 1 |
| Orange | 0V | 2 |
| Yellow | Hall A | 4 |
| Blue | Hall B | 5 |
| Green | Hall C | 6 |

Tecnichal Data

| | |
|-------------------------|--|
| Type | 130WD-M07730-96V |
| Power (KW) | 2.4 |
| Rated voltage (V) | 96 |
| Rated current (A) | 29.6 |
| Rated speed (rpm) | 3000 |
| Rated torque (NM) | 7.7 |
| Rotor inertia (Kgcm2) | 15.8 |
| Protection rank | IP65 |
| Insulation rank | F |
| Appropriate environment | Temperature: 0 ~ 50°C Humidity: < 90% (No dewdrop) |
| Motor weight (KG) | 9.05 |